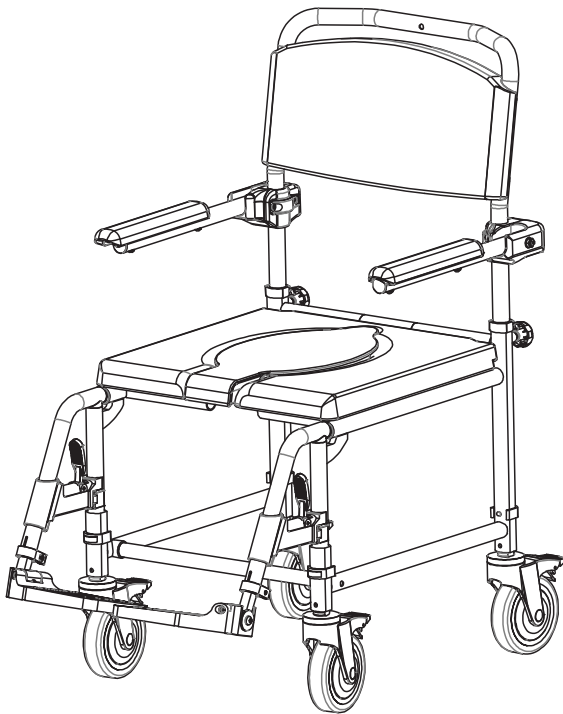
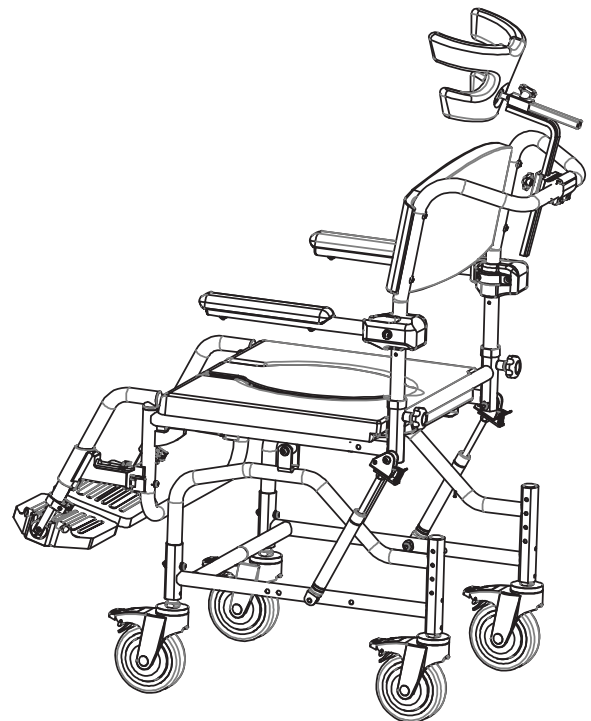


Assembly instruction

For all accessories for commode and shower chair
Kakadu and Kakadu Tilt



Model: 302015, 302018, 302019, 302020



Model: 302024, 302025

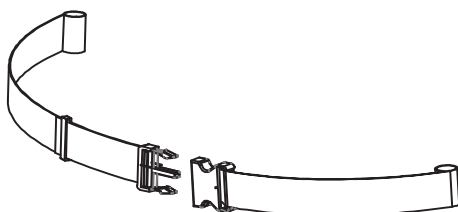
Table of contents

Safety belt + strap for backrest.....	3
Safety bar for Kakadu.....	4
Amputation support, left	5
Amputation support, right.....	6
Side support 10 x 14 cm, left.....	7
Side support 10 x 14 cm, right	8
Side support 14 x 20 cm, left.....	9
Side support 14 x 20 cm, right	10
5" wheel incl. 145 mm extended alutube	11
Splash guard front for Kakadu with standard seat	12
Seatplate lid.....	13
PU seat with round hole	14
Antitip for Kakadu	15
Complete head support.....	16
Adjustable back.....	17
350 mm armrest with pipe 25.4 x 470 mm	18

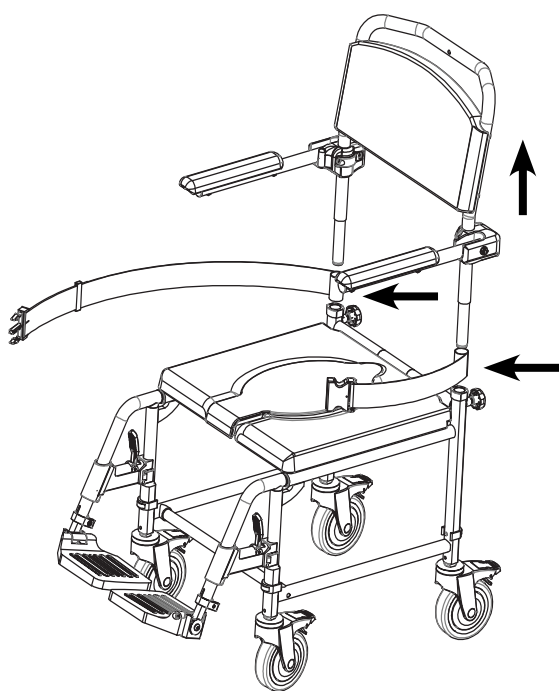
Assembly instruction

Safety belt + strap for backrest

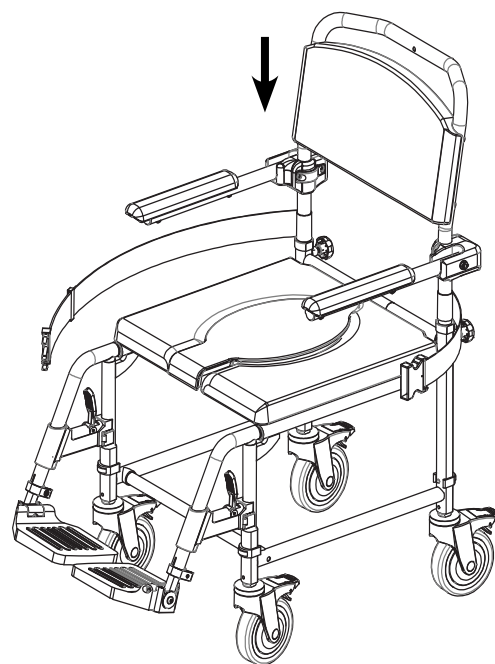
Item no. 302122 - suitable for all models



1



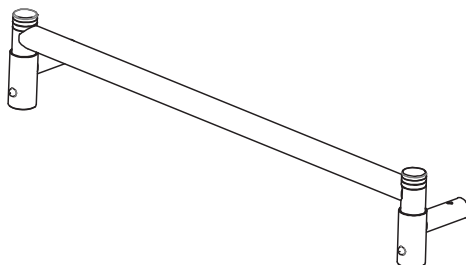
2



Assembly instruction

Safety bar for Kakadu

Item no. 302127 / 302126 / 302149

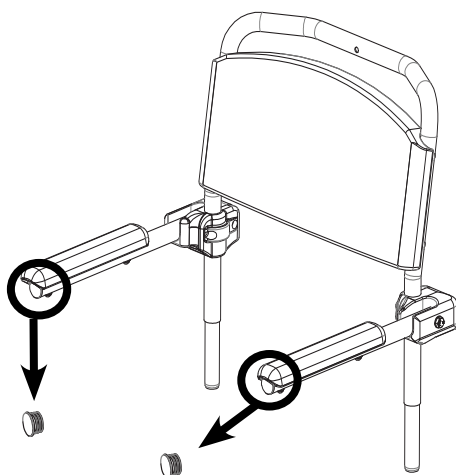


Item no. 302127 for model 302018 + 302024

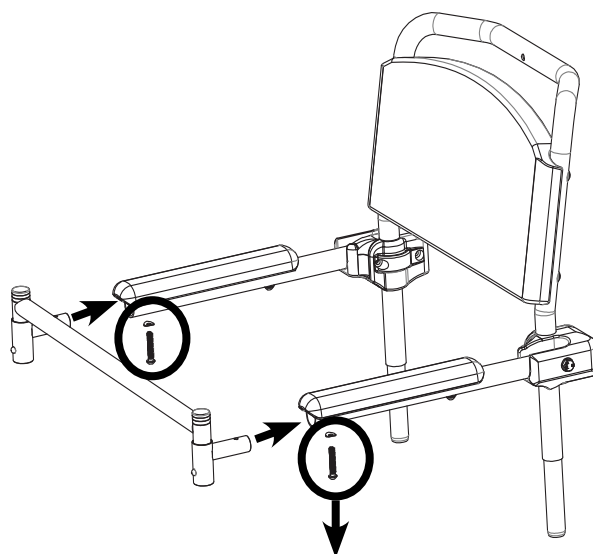
Item no. 302126 for model 302019 + 302025

Item no. 302149 for model 302020

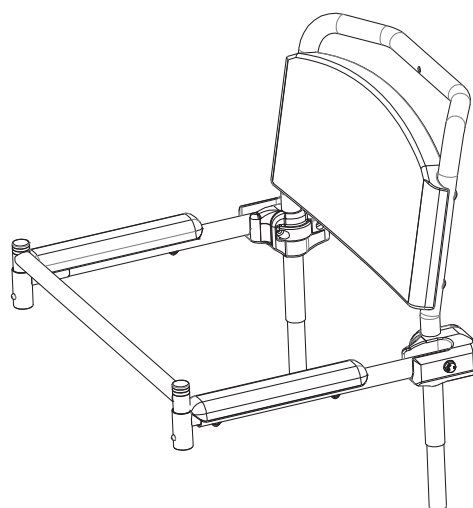
1



2



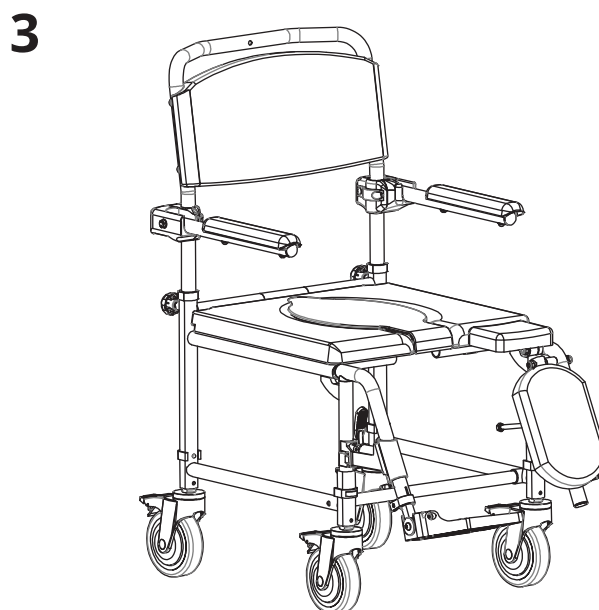
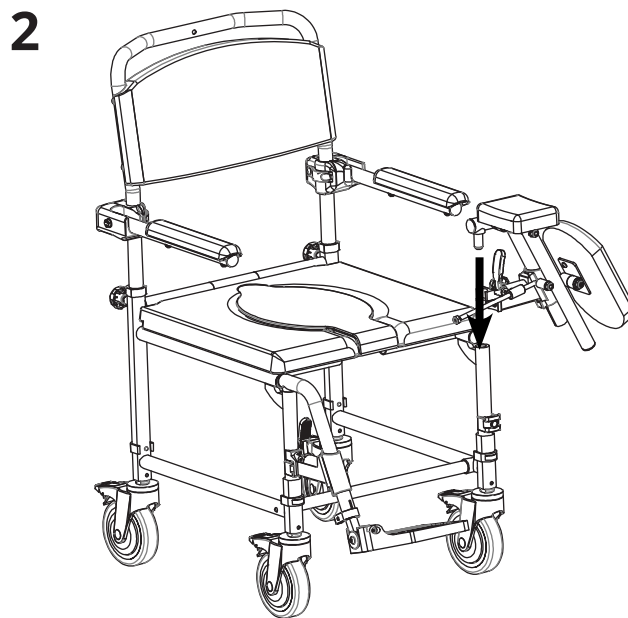
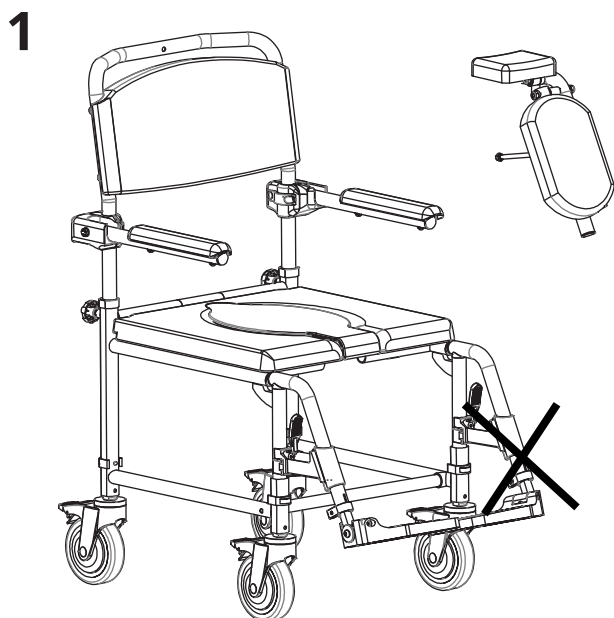
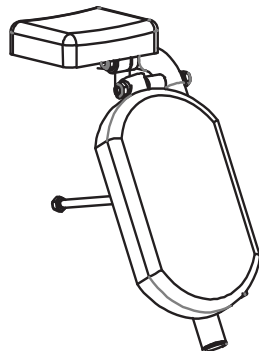
3



Assembly instruction

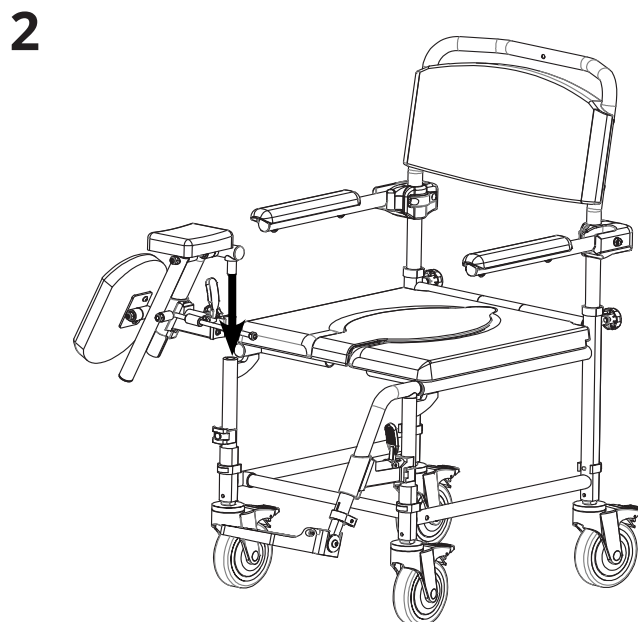
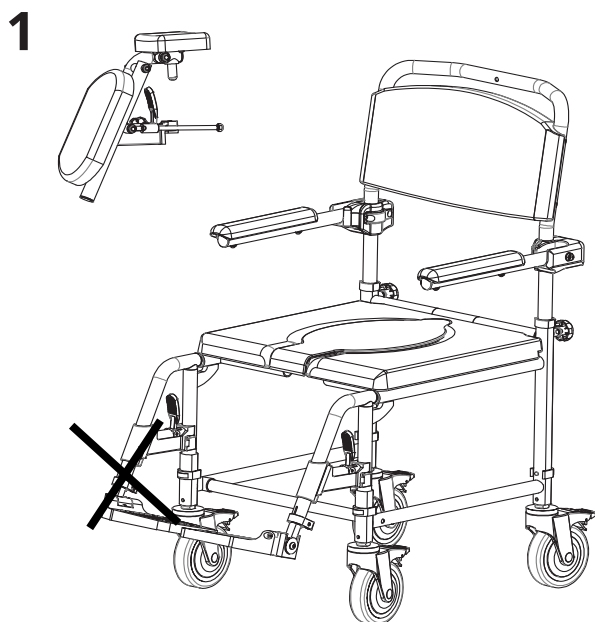
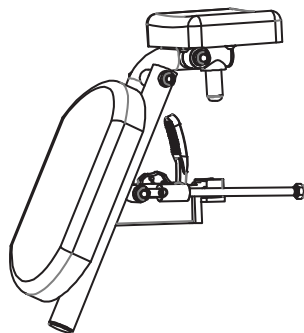
Amputation support, left

Item no. 302128 - suitable for all models



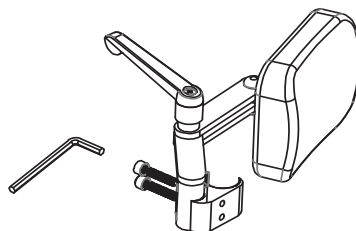
Assembly instruction

Amputation support, right
Item no. 302129 - suitable for all models

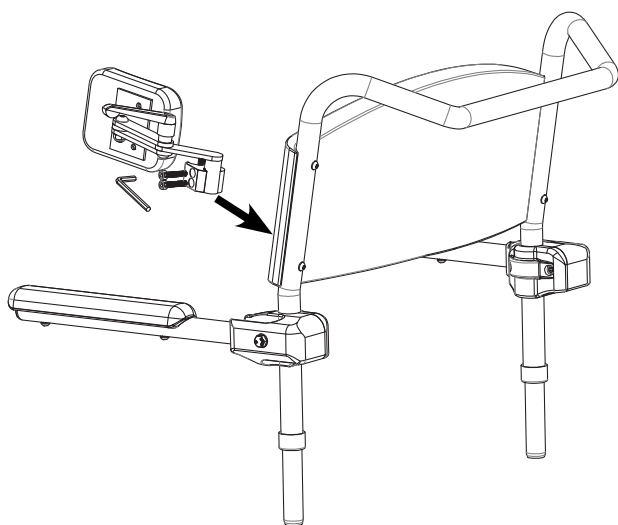


Assembly instruction

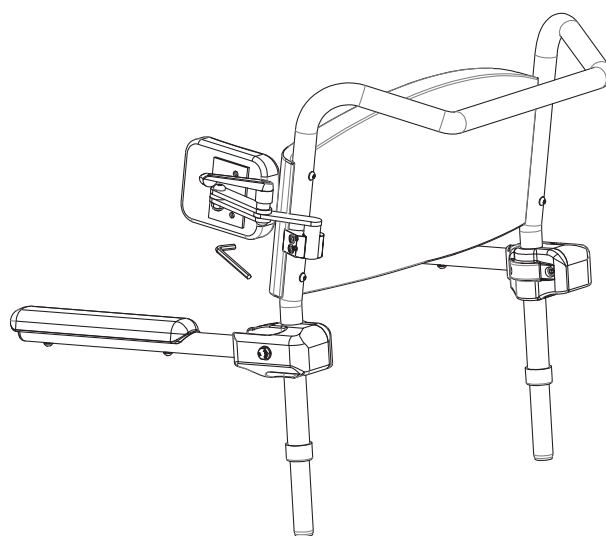
Side support 10 x 14 cm, left
Item no. 30212P - suitable for all models



1



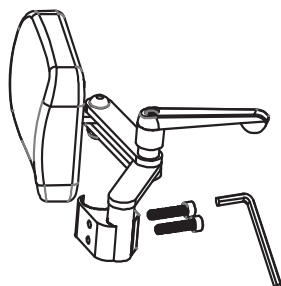
2



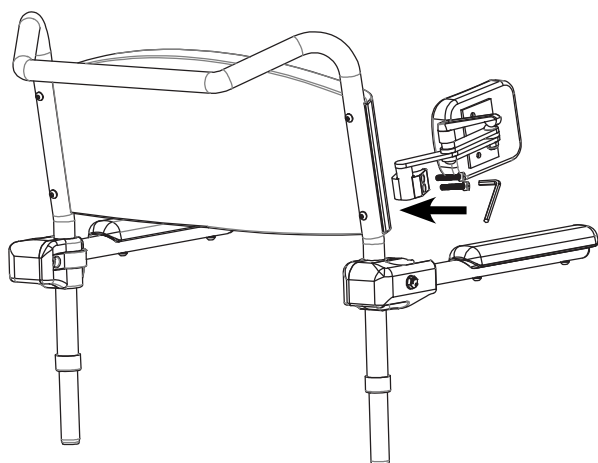
Assembly instruction

Side support 10 x 14 cm, right

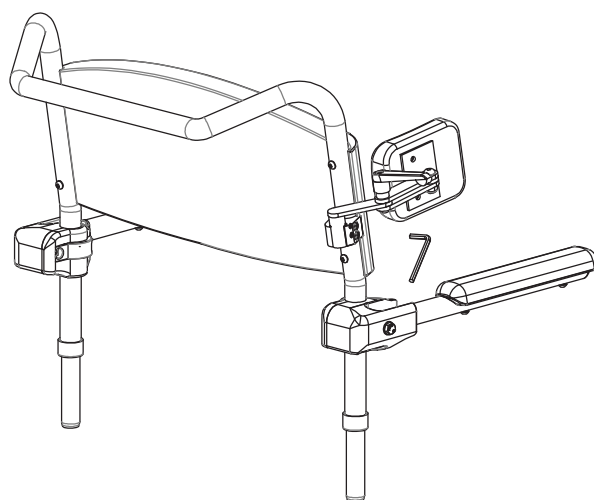
Item no. 30212R - suitable for all models



1

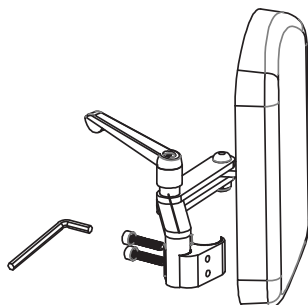


2

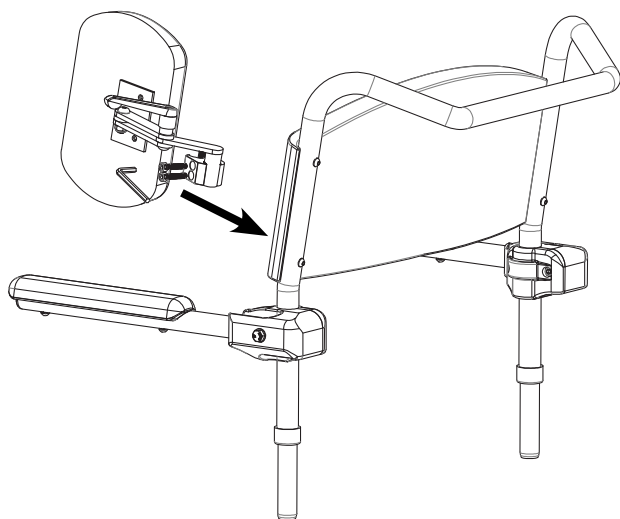


Assembly instruction

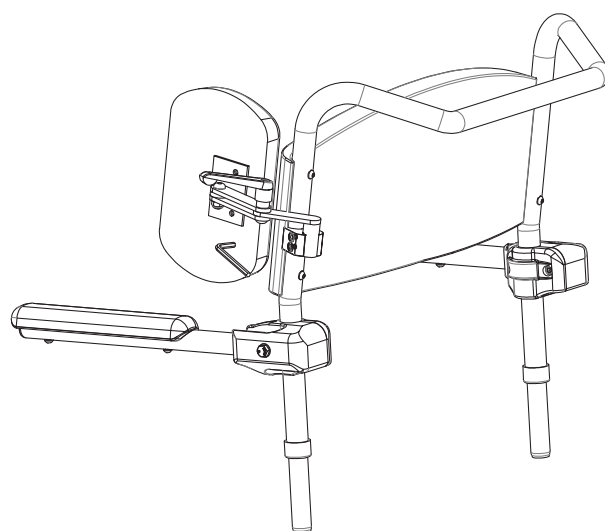
Side support 14 x 20 cm, left
Item no. 30212Q - suitable for all models



1



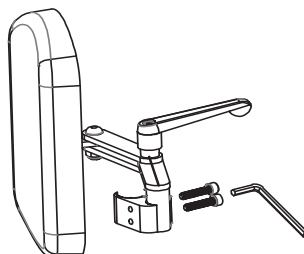
2



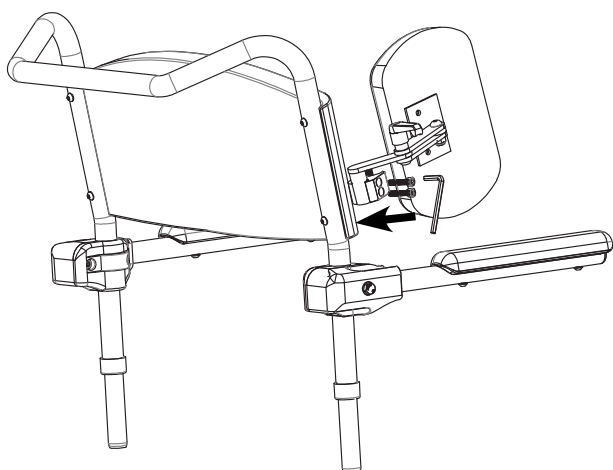
Assembly instruction

Side support 14 x 20 cm, right

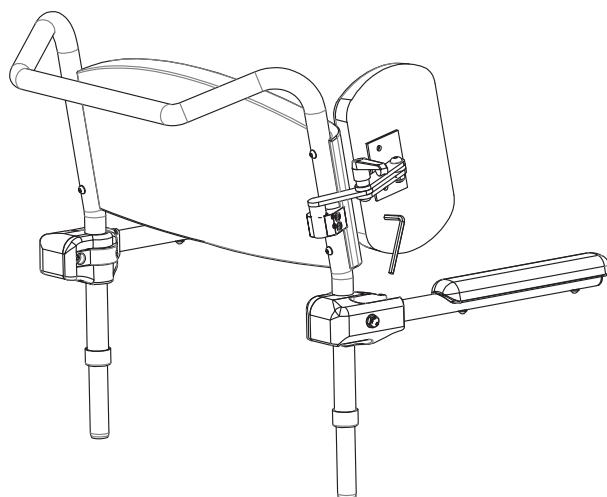
Item no. 30212S - suitable for all models



1



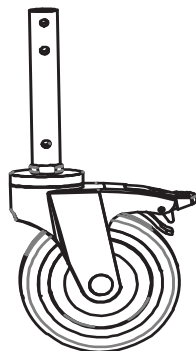
2



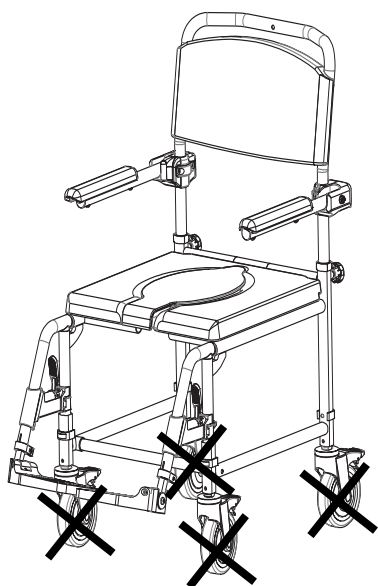
Assembly instruction

5" wheel incl. 145 mm extended alutube

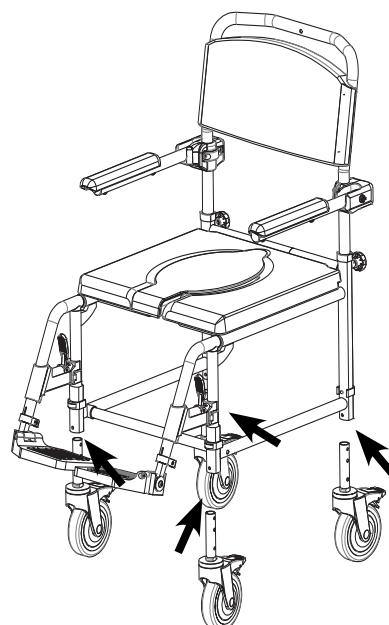
Item no. 30212M - suitable for all models



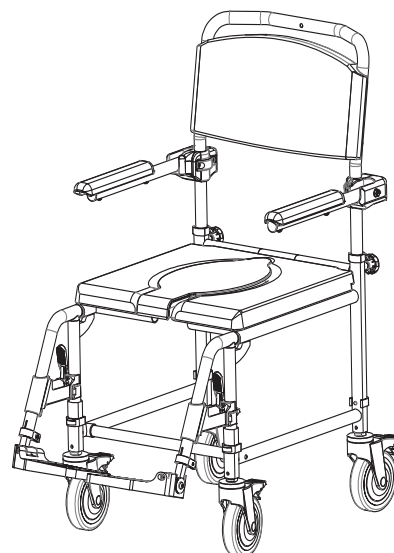
1



2



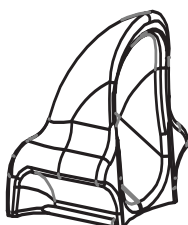
3



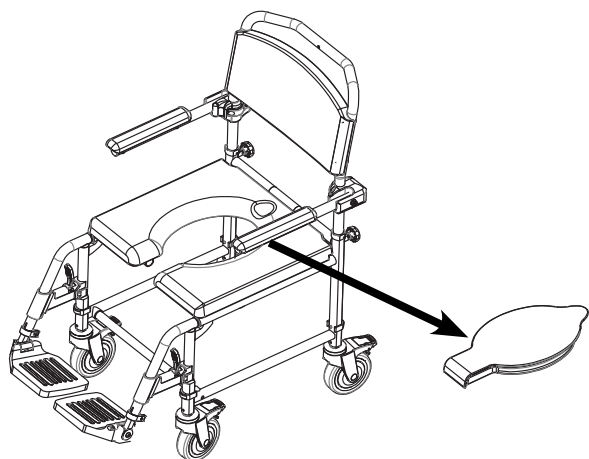
Assembly instruction

Splash guard front for Kakadu with standard seat

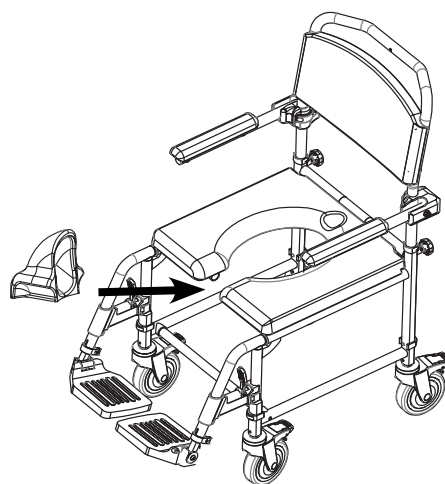
Item no. 30214U - suitable for all models



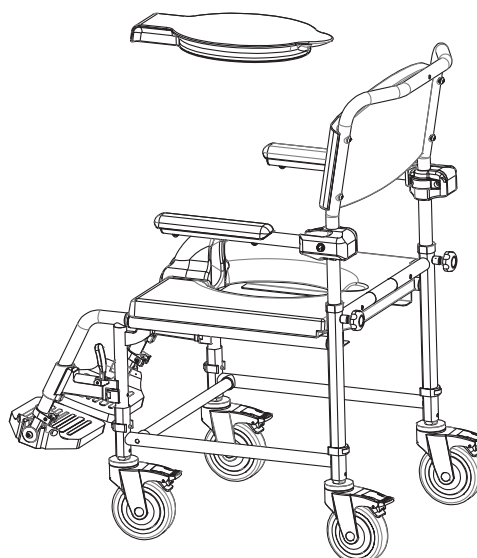
1



2



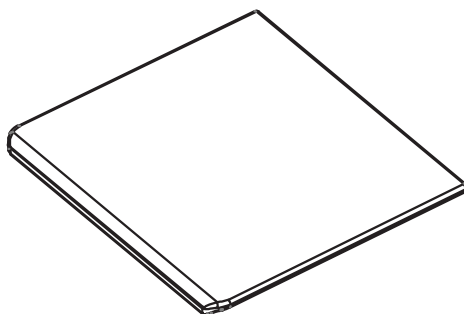
3



Assembly instruction

Seatplate lid

Item no. 302110 / 302155 / 302157

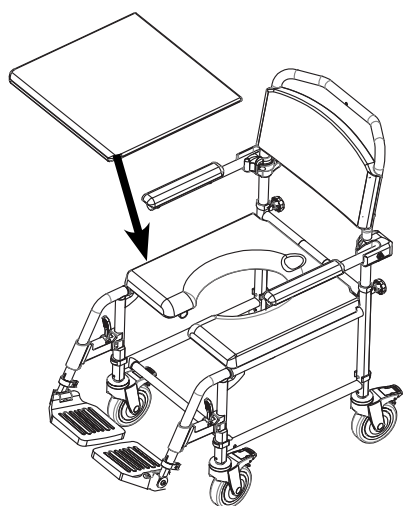


Item no. 302110 for model 302018 + 302024

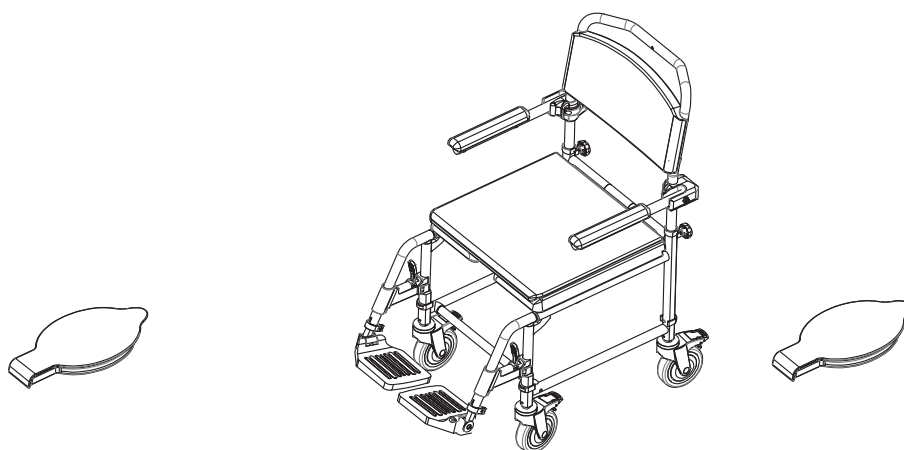
Item no. 302155 for model 302019 + 302025

Item no. 302157 for model 302020

1

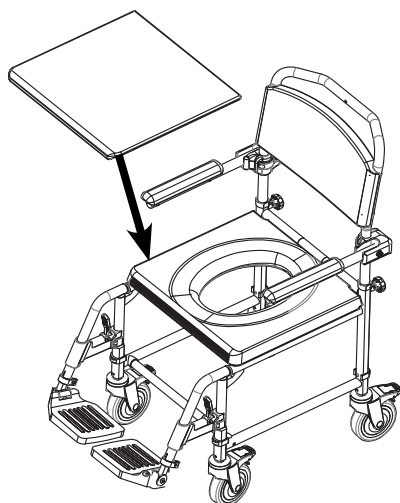


2

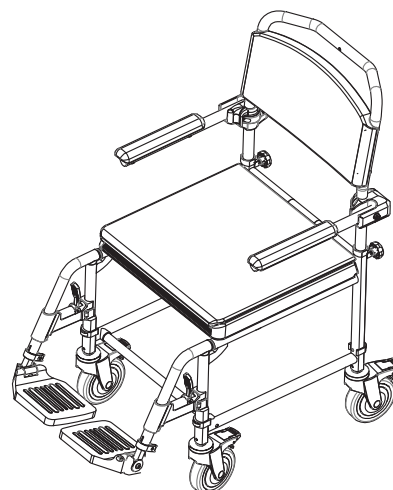


OR

1

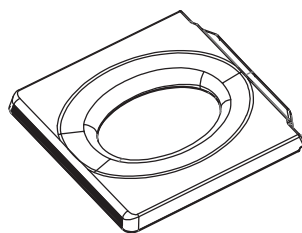


2



Assembly instruction

PU seat with round hole
Item no. 302109 / 302154 / 302156

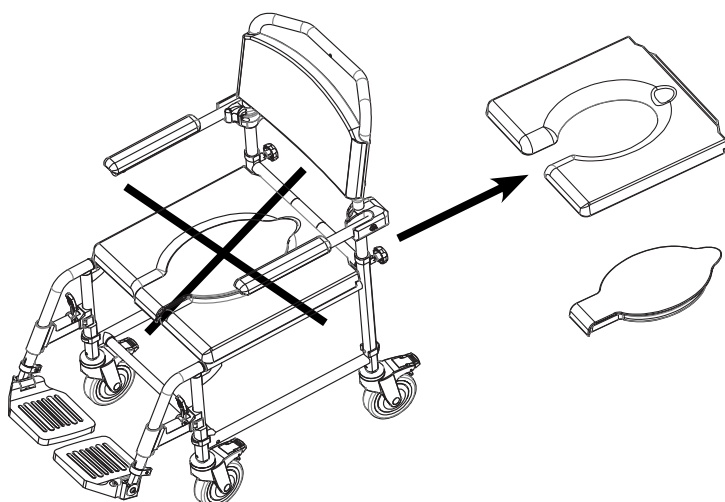


Item no. 302109 for model 302018 + 302024

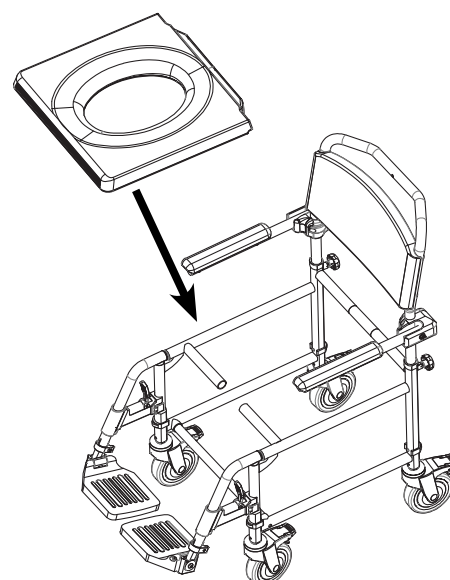
Item no. 302154 for model 302019 + 302025

Item no. 302156 for model 302020

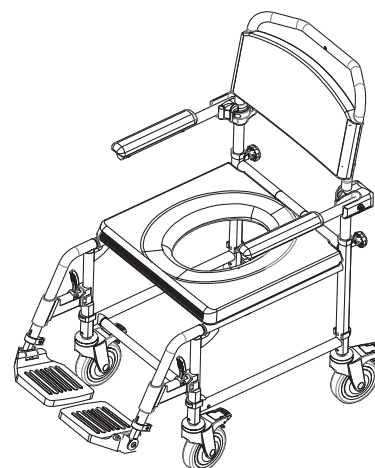
1



2



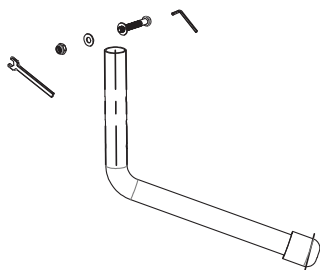
3



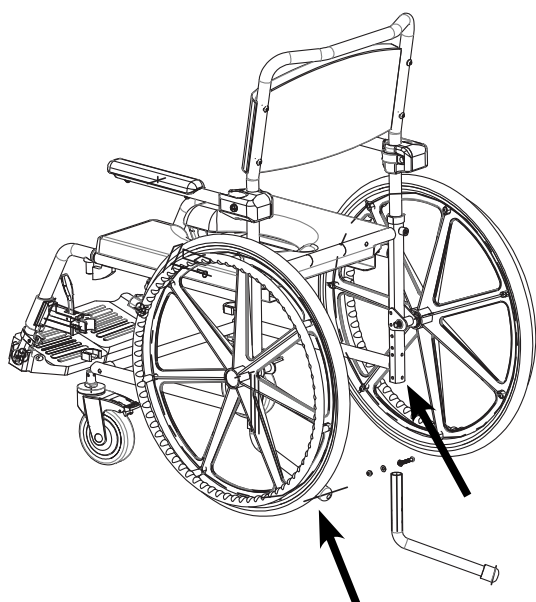
Assembly instruction

Antitip for Kakadu

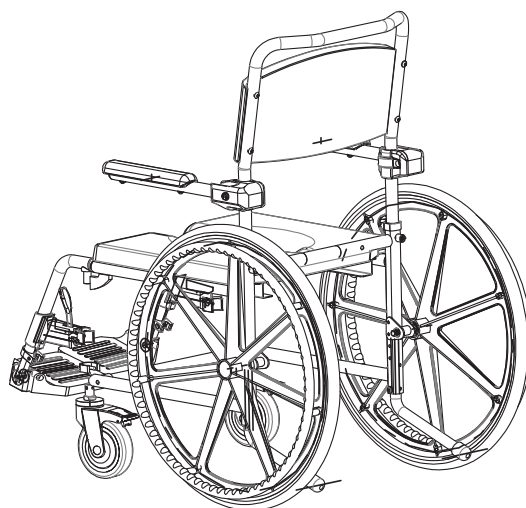
Item no. 302125 - suitable for all models



1



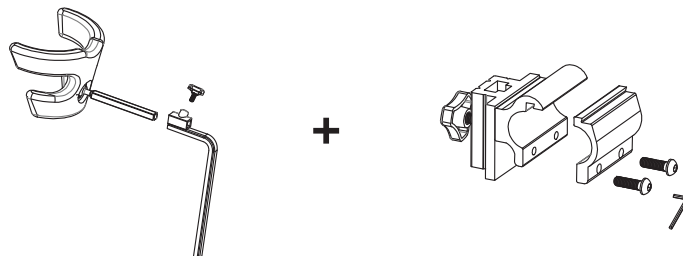
2



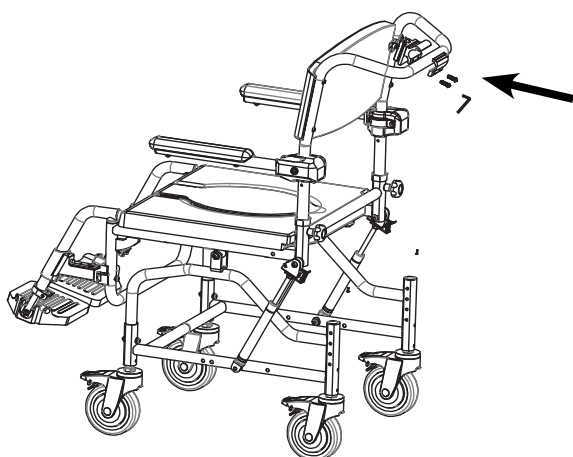
Assembly instruction

Complete head support

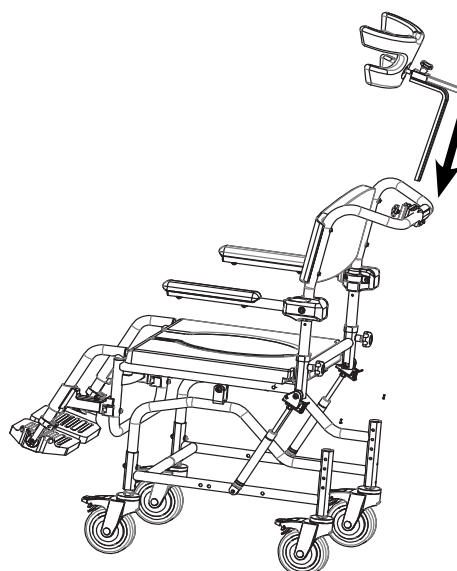
Item no. D2101 - suitable for model 302024 + 302025



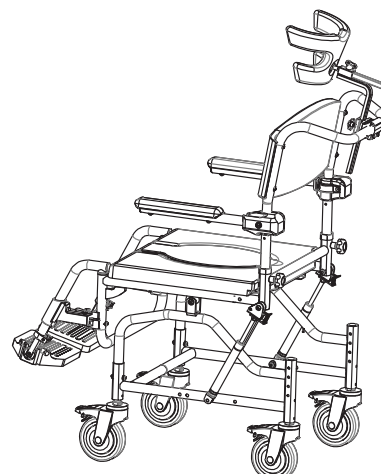
1



2



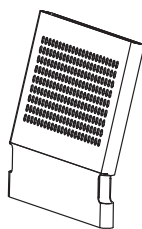
3



Assembly instruction

Adjustable back

Item no. 302164 / 302165 / 302166



Item no. 302164 for model 302018 + 302024

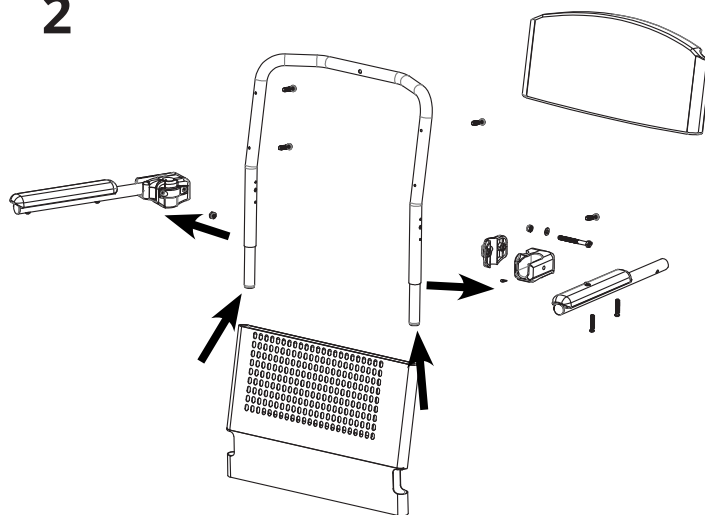
Item no. 302165 for model 302019 + 302025

Item no. 302166 for model 302020

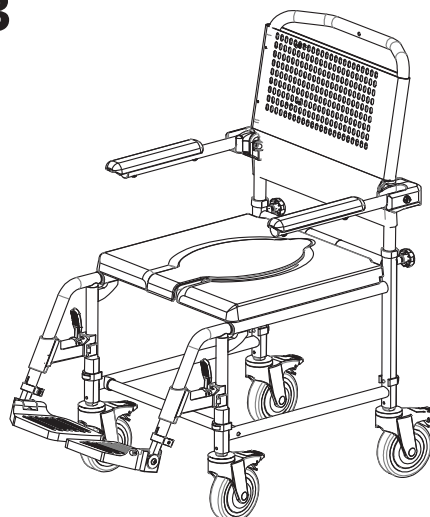
1



2



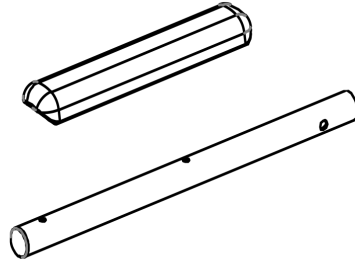
3



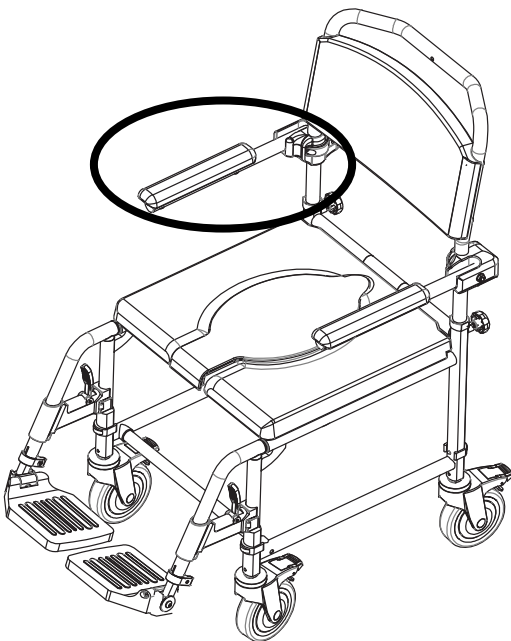
Assembly instruction

350 mm armrest with pipe 25.4 x 470 mm

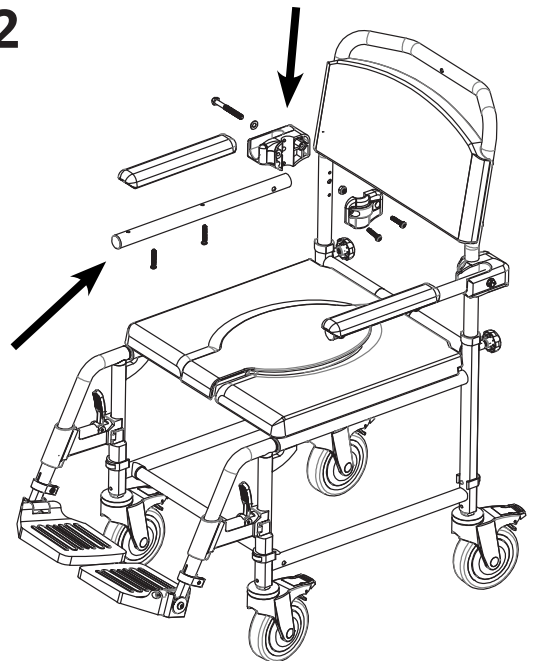
Item no. 302195 - suitable for all models



1



2



3

