

OMOBIC PUSHRIMS

MOBILEX SELECTION OF OMOBIC PUSHRIMS

 **Mobilex**
a better life in motion

omobitc
by mbl

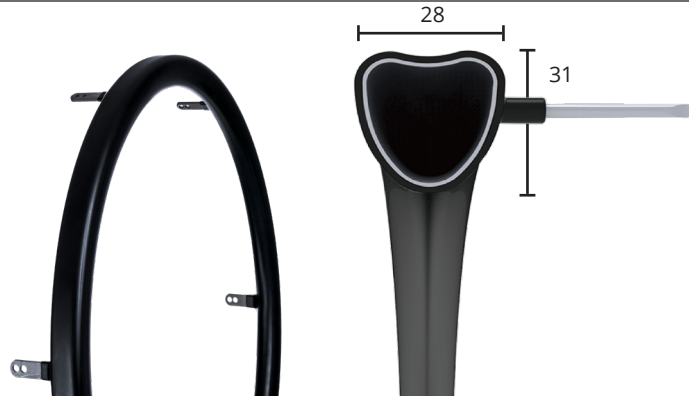
OPTIMUM

The OPTIMUM pushrims provide optimal contact for easier driving and braking and are very well suited for users with limited hand strength.

OPTIMUM F - Anti-slip coating

Item no. 21P24C

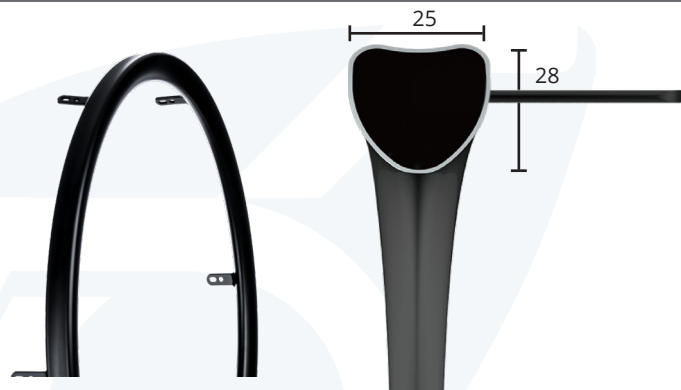
- 6 splices
- 1.5 mm anti-slip coating
- Optimal for users with limited hand strength
- Weight: 590 g



OPTIMUM P / OPTIMUM H

Item no. 21P24D / 21P24A

- 6 splices
- Optimal for users with limited hand strength
- Optimum P is black powdercoated and weighs 400 g
- Optimum H is black hard anodized and weighs 275 g



OPTIMUM Z F - Anti-slip coating

Item no. 21P24G

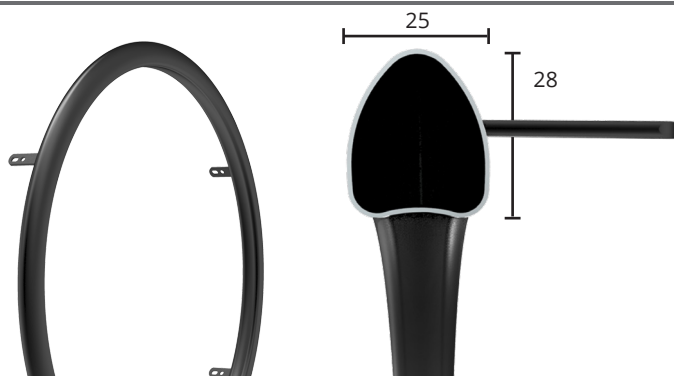
- 6 splices
- 1.5 mm anti-slip coating
- Optimal for users with limited hand strength
- Weight: 560 g



OPTIMUM Z H

Item no. 21P24F

- 6 splices
- Black hard anodized
- Weight: 275 g



PUSHRIMS WITH ANTI-SLIP INSERTS

The pushrims with anti-slip insert made of environmentally friendly silicone provide optimal grip, which makes the wheelchair more maneuverable and easier to drive.

NOVA P

Item no. 21P24M

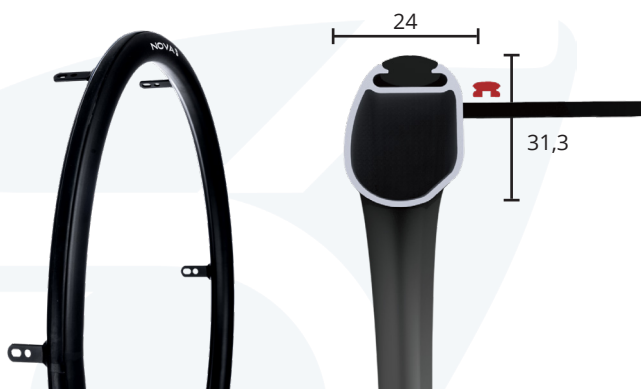
- 6 splices
- Black powdercoated
- Silicone strips for better grip
- Good anti-slip qualities even when wet
- Weight: 590 g



NOVA H

Item no. 21P24N

- 6 splices
- Black hard anodized
- Silicone strips for better grip
- Good anti-slip qualities even in wet conditions
- Weight: 590 g



ORBIT H

Item no. 21P24B

- 6 splices
- Black hard anodized
- Wide gripping surface with silicone strip for easy pushing off
- Good anti-slip qualities even in wet conditions
- Weight: 776 g



SIMI

Item no. 21P24E

- 6 splices
- Black hard anodized
- Silicone anti-slip insert that provides a better grip, making the wheelchair more maneuverable and easier to push
- Weight: 825 g



TITANIUM

Item no. 21P24K

- 6 splices, 2 mm thick
- Tabs can be adjusted +/- 2 mm
- Ø19 mm
- Weight: 404 g



MAGNESIUM

Item no. 21P24H

- Fitting with 6 rivenuts
- Fitting can be adjusted +/- 1 mm
- Weight: 215 g



ULTRALIGHT ALUMINIUM

Item no. 21P24I

- 6 splices with one hole
- Ø19 x 0.8 mm
- Tabs can be adjusted +/- 2 mm
- Weight: 211 g



LIZARD GRIP

Item no. 21P24C

- Extra grip - good for quadriplegics and sports
- Black foam 65 SHA
- Thickness 1 mm
- Meets all EU regulations
- Based on PVC
- 0,7 Coefficient of friction
- Weight: 570 g



Mobilex TRI-GRIP

Item no. 21724Z

Further information?

On these pages you will find a small selection of our extensive product range. If you are interested in our full range, we invite you to visit our website www.mobilex.dk, where you can view all products and download our catalogue. The QR code will take you to our website.

