

Alligator Ramps

DF-Ramps

User manual



Contact:
Mobilex A/S
Noerskovvej 1
8660 Skanderborg
Denmark

DF-ramps	List of contents	2
1	Preface	3
2	Security reference	4
2.1	Description of symbols	4
2.2	Security – general references	4
3	Purpose description	5
4	Indication	5
5	Declaration of conformity	6
6	Product description	7
7	Delivery description	7
8	Usage description	7
9	Transport description	8
10	Technical data	8
11	Product label	10
12	Cleaning description	10
13	Maintenance	10
14	How to deposit the product	10
15	Guarantee	11
16	Notes	11

This user manual describes how the Alligator DF ramps are used and maintained.

By queries please contact your dealer or Mobilex direct:

Mobilex A/S

Noerskovvej 1

8660 Skanderborg

Denmark

Telephone: +45 87932220

Telefax.....: +45 87931777

E-mail: info@mobilex-care.com

Used symbols:

In the user manual the following symbols are used:

Warning

This symbol is used for security references, that applies to points that can lead to risk of damages is not followed.

Reference

This symbol applies to a reference as to how the product should be used.

2.1 Security – General references

Make sure that this user manual is read by all persons using the ramp. Damages, caused by the fact that the user manual has not been followed, will not be accepted.

Limitations for usage

- DF-Ramps must not be loaded with more than 300 kg.
- The ramps can maximum be used at inclinations like:

DF-180	35 cm
DF-240	50 cm
DF-300	60 cm

Danger for accidents

- Only use the ramp for the purpose it is intended for.
- Only use ramps in good technical condition.
- Avoid making constructive changes on the ramp, unless you have the producers written accept.
- When unfolding the ramp the user must take care not to squeeze the fingers or other body parts.
- The ramp must only be used on a stable surface.

3 DF-Ramps

Purpose description

Mobilex Ramps are transportable ramps intended to move patients in wheelchairs or scooters. They enable the passage of elevated points with or without the assistance of a helper (f.ex stairs). Mobilex ramps thereby enables patients, sitting in a wheelchair because of invalidity, to enter of leave a building and thus serving a fundamental need. The ramps can be used as well inside as outside. Alligator ramps of the type DF can maximum be loaded with 300 kg.

4 DF-Ramps

Indication

Mobilex ramps are intended for use by patients that because of invalidity are sitting in a wheelchair. They make it possible for the patients to pass elevated points with or without the assistance of a helper.

5 DF-Ramps

Declaration of conformity

Producer:

Mobilex A/S
Noerskovvej 1
8660 Skanderborg
Denmark

Hereby declares that the product: Alligator Ramps Type DF

are designed and produced in accordance with the technical documentation and according to the demands of:

- Guidelines 93/42/EWG for medical products Part I from 14 Juni 1993

Responsibility:

Company: Mobilex A/S, Noerskovvej 1 24, 8660 Skanderborg, Denmark

Title: Managing director

Name: Lars Nygaard

Skanderborg 29/5-2005

Dato



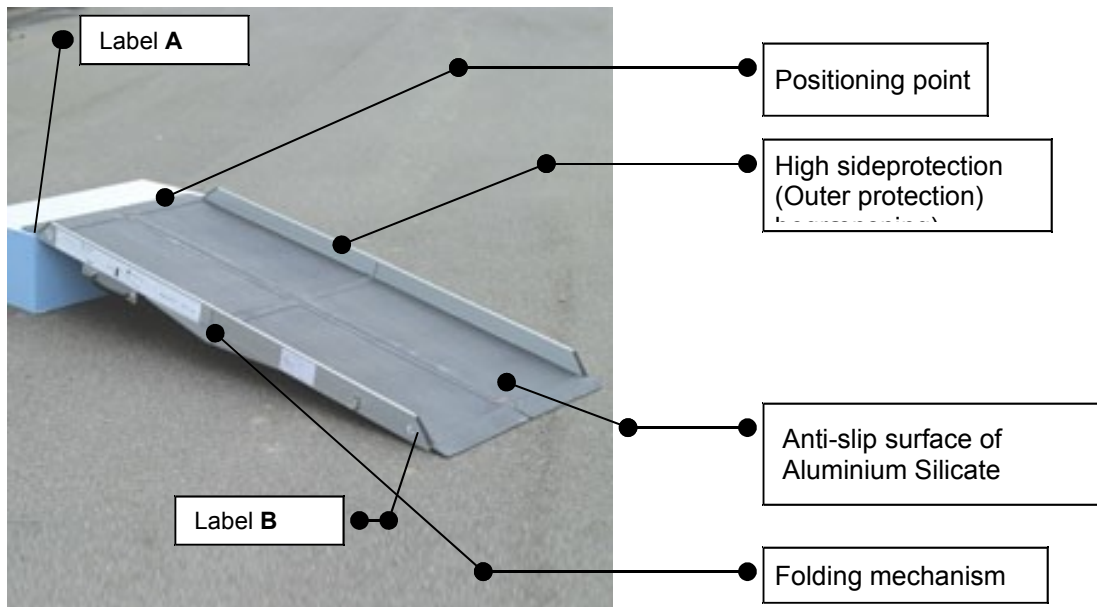
Underskrift

6 DF-Ramps

Product description

6.1 Product description

Alligator ramps, Type DF are made from aluminium.



7 DF-Ramps

Delivery description

DF-Ramps are supplied in cartons:

The contents are:

- 1 Alligator-Ramp Type DF
- 1 User manual
- 1 set of boxes

8 DF-Ramps

Usage description



DF-Ramps are fitted with a label **A** and a label **B** (see picture in section 6).

- Label **A** is placed on the upper side of the ramp (the side placed on the hindrance)
- Label **B** is placed on the lower side of the ramp (the side placed at the ground)
- The ramps must be placed so that the sideprotection is outwards (see picture in section 6).
- The ramp parts must be fitted together with the red springs.
- The ramps must be placed on a stable surface.
- Check that the ramps are stable before driving on them.

- Use only the ramps for height differences up to:

DF-180	35 cm
DF-240	50 cm
DF-300	60 cm

9 DF-Ramps

Transport description

Alligator ramps type DF can for be folded for transport and locked with a hinge.

10 DF-Ramps

Technical data

Alligator Type DF-180	
Lenght:	2 x 180 cm
Width:	2 x 40 cm
Surface:	2 x 38 cm
Height of sideprotections:	Outer protection: 6 cm
Max. elevation / Height difference:	12° / 35 cm
Weight total:	16 kg
Max. load:	300 kg
Remarks:	Used as a pair.

Alligator Type DF-240	
Lenght:	2 x 240 cm
Width:	2 x 40 cm
Surface:	2 x 38 cm
Height of sideprotections:	Outer protection: 6 cm
Max. elevation / Height difference:	12° / 50 cm
Weight total:	22 kg
Max. load:	300 kg
Remarks:	Used as a pair.

Alligator Type DF-300	
Lenght:	2 x 300 cm
Width:	2 x 40 cm
Surface:	2 x 38 cm
Height of sideprotections:	Outer protection: 6 cm
Max. elevation / Height difference:	12° / 60 cm
Weight total:	27,2 kg
Max. load:	300 kg
Remarks:	Used as a pair.

11 DF-Ramps

Product label

The product label is placed on the outside of the ramp:

The product label:



12 DF-Ramps

Cleaning description

- Lighter dirt and dust can be removed with a wet cloth.
- Larger parts can be removed with a non-corroding, mild washing agent.

13 DF-Ramps

Maintenance

The ramps are maintenance free.

14 DF-Ramps

How to deposit the product

The ramps cannot be deposited with normal garbage.

They must be delivered to the public station for re-use.

